



300 SERIES

- Switch adjustment ranges from vacuum through 4,600 psig depending on model
- Standard Zinc-nickel with NBR diaphragm wetted parts
- SPST or SPDT snap-action switch with solid Silver contacts
- CE compliant to suppress RFI, EMI and ESD
- RoHS compliant

APPLICATIONS

- Hydraulics & pneumatics
- Pumps & compressors
- Tank monitoring
- Leak detection
- Water management

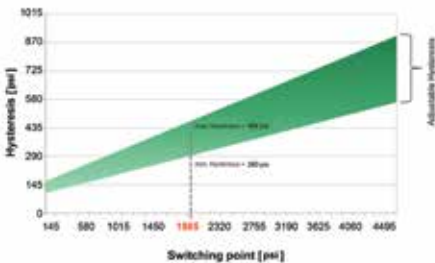
SPECIFICATIONS

Switching parameters

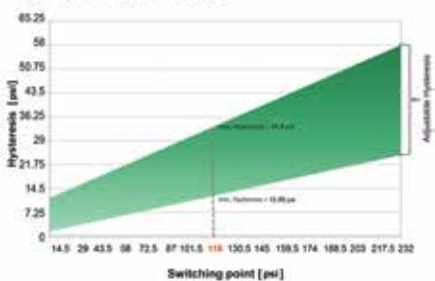
Function	SPST or SPDT
Contact rating	6A @ 125/250 Vac 6A @ 12/24 Vdc
Repeatability	2% of full set point range at 70 °F
Hysteresis	Adjustable, see charts below
Contact material	Solid Silver, self-cleaning
Frequency	Max. 100 cycles/min

Switch type	Snap action with adjustable hysteresis
Pressure ranges	-5 inHg to -28 inHg (350 psig) through 450 psig to 4,600 psig (5,000 psig)
Service life	>1,000,000 load cycles
Temperature ranges	Media -4 °F to 176 °F (-20 °C to 80 °C) Ambient -4 °F to 176 °F (-20 °C to 80 °C) Storage -4 °F to 176 °F (-20 °C to 80 °C)
Proof pressure	870 psig or 5,000 psig depending on adjustment range
Measuring element	NBR
Housing material	Zinc-nickel plated Steel
Environmental rating	IP65 - DIN EN 175301-803 Form A IP67 - All others
Weight	Approximately 0.2 lb.

Adjustable Hysteresis (piston type)



Adjustable Hysteresis (membrane type)



Authorized Distributor:

WESCHLER INSTRUMENTS
 phone: 800-903-9870 440-378-6580
 fax: 800-903-9590 440-238-0660
 www.weschler.com info@weschler.com

ORDERING INFORMATION			
SERIES	300V 300 Vacuum Series 300L 300 Low Pressure Series	300H 300 High Pressure Series	
SWITCH FUNCTIONS	1 SPST, Normally open 2 SPST, Normally closed	3 SPDT	
PROCESS CONNECTIONS	1 1/8" NPT male 2 1/4" NPT male 10 G 1/4B	33 G 1/8B 45 7/16-20 SAE Male, Non-Adjustable	
300V VACUUM PRESSURE SWITCH ADJUSTMENT RANGES (Max. working pressure)	5/28-vac -5 inHg to -28 inHg (350 psig)		
300L LOW PRESSURE SWITCH ADJUSTMENT RANGES (Max. working pressure)	3/7 3 psig to 7 psig (870 psig) 3/15 3 psig to 15 psig (870 psig) 3/30 3 psig to 30 psig (870 psig) 7/70 7 psig to 70 psig (870 psig)	7/120 7 psig to 120 psig (870 psig) 15/200 15 psig to 200 psig (870 psig) 15/230 15 psig to 230 psig (870 psig) 30/290 30 psig to 290 psig (870 psig)	
300H HIGH PRESSURE SWITCH ADJUSTMENT RANGES (Max. working pressure)	100/220 100 psig to 220 psig (5,000 psig) 145/435 145 psig to 435 psig (5,000 psig) 145/1160 145 psig to 1,160 psig (5,000 psig) 145/1750 145 psig to 1,750 psig (5,000 psig)	145/2320 145 psig to 2,320 psig (5,000 psig) 300/2900 300 psig to 2,900 psig (5,000 psig) 300/3600 300 psig to 3,600 psig (5,000 psig) 450/4600 450 psig to 4,600 psig (5,000 psig)	
ELECTRICAL CONNECTIONS†	1 36" Cable attached to option 8 8 DIN EN 175301-803 Form A 25 M12 x 1 4-Pin 36 3' Integral Cable 66 Deutsch Integral 2-Pin (DT04-2P)** 96 Weatherpack Tower, 2-Pin Female*, ** 97 Weatherpack Tower, 2-Pin Male*, ** 98 Weatherpack Shroud, 2-Pin Female*, ** 99 Weatherpack Shroud, 2-Pin Male*, **	100 Deutsch 2-Pin Male (DT04-2P)*, ** 101 Deutsch 3-Pin Male (DT04-3P)* 103 Deutsch 2-Pin Female Socket (DT06-2S)*, ** 104 Deutsch 3-Pin Female Socket (DT06-3S)* 110 Weatherpack Tower, 3-Pin Female* 111 Weatherpack Tower, 3-Pin Male* 112 Weatherpack Shroud, 3-Pin Female* 113 Weatherpack Shroud, 3-Pin Male*	
OPTIONS***	EP EPDM Diaphragm (-40/212 °F) HNBR Low Temp Nitrile Diaphragm (-40/176 °F) SP Factory Adjusted Switch Point	SS 316 SS Wetted Materials VT FKM Diaphragm (0/250 °F)	

Please consult your local NOSHOK Distributor or NOSHOK, Inc. for availability and delivery information.

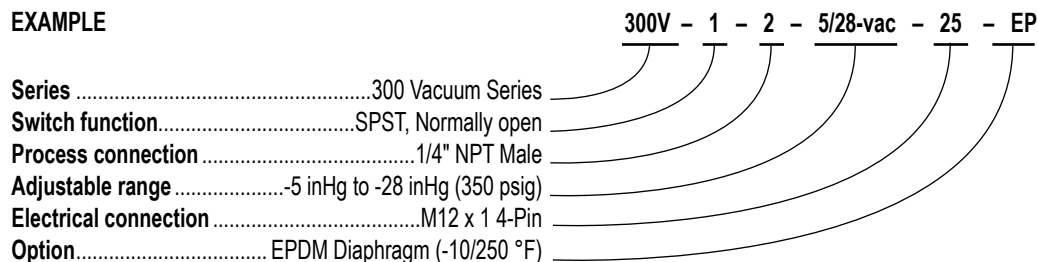
* Options attached to 18" cable

** For SPST only

*** Not all options are available for all ranges, consult factory

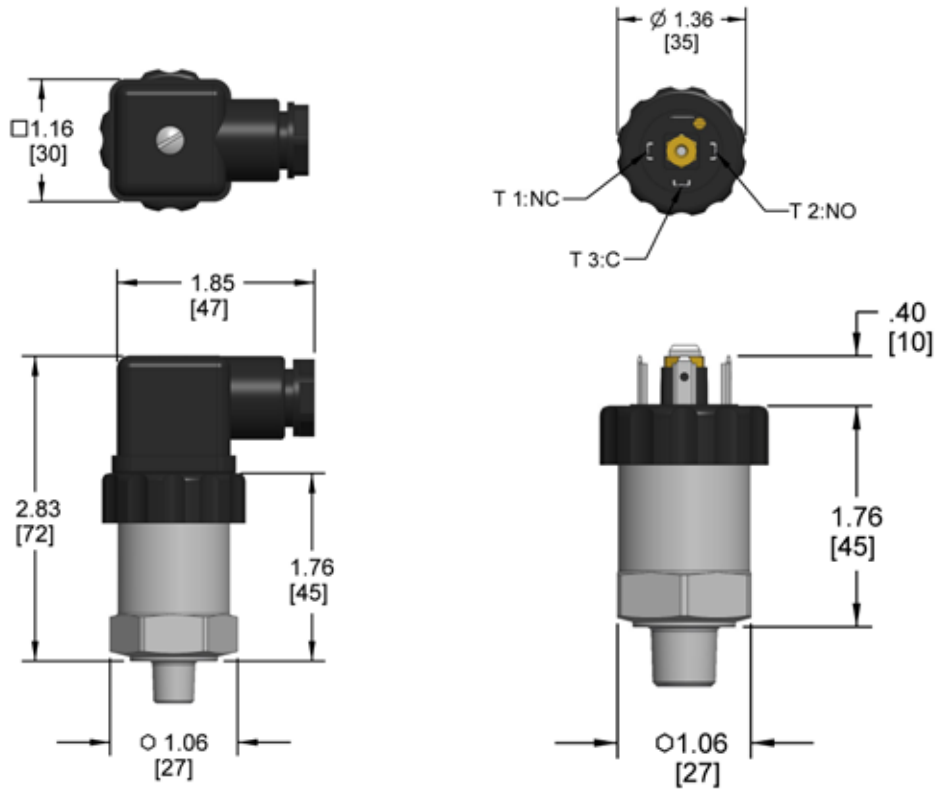
† Other electrical connections available, consult the factory

EXAMPLE

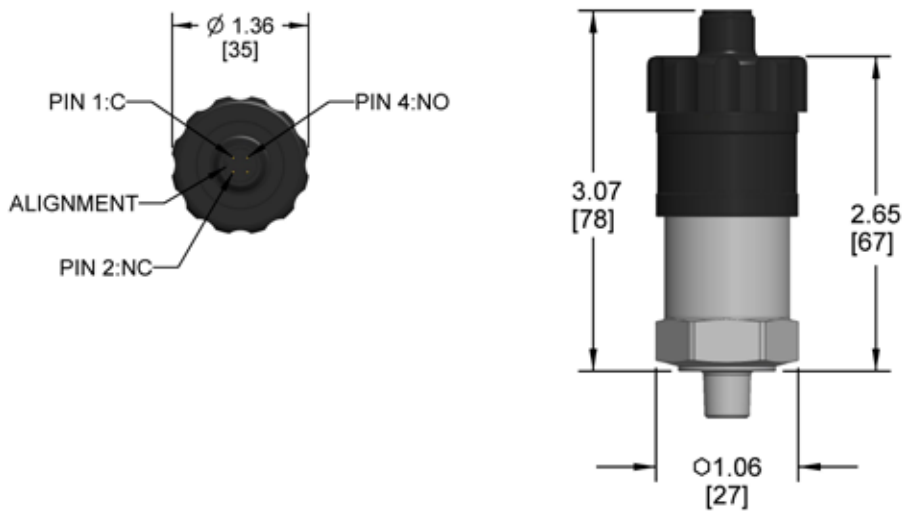


Dimensions

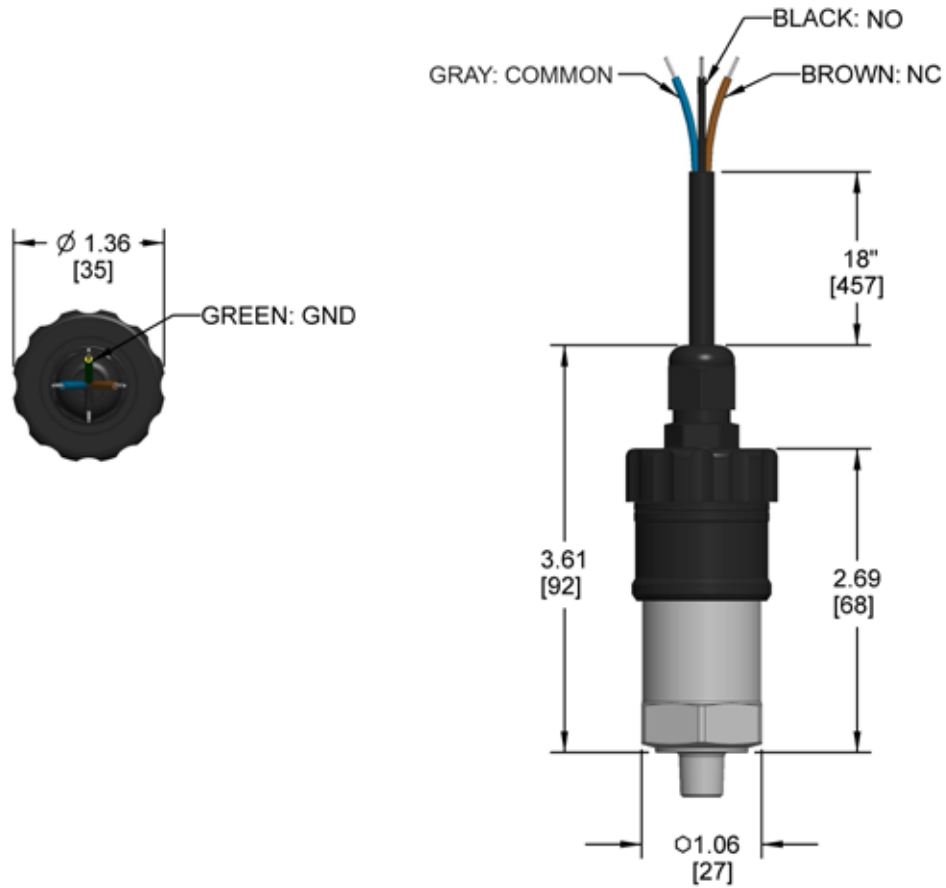
DIN EN 175301-803 Form A



M12 x 1 4-Pin



300H 3' Integral Cable



300H Deutsch Integral 2-Pin (DT04-2P)

