

# ABS & Steel Case, Dry



## 100 SERIES

- General purpose non-fillable dry gauge
- Vacuum and compound ranges through 0 psi to 15,000 psi
- 1-1/2", 2", 2-1/2" and 4" gauge sizes
- Standard impact-resistant ABS & Steel case
- Copper alloy and Brass wetted parts

### OPERATING SPECIFICATIONS

#### 1. Working Pressure Limitations a. Dynamic Pressure

The working pressure should be limited to 60% of the dial range.

#### b. Static Pressure

The working pressure, where no sharp fluctuations occur, should be limited to 90% of the dial range

### APPLICATIONS

- Hydraulics & pneumatics
- Medical
- Pumps & compressors
- Refrigeration controls
- Utilities
- Water management

	SERIES	SPECIFICATIONS
<b>Pressure ranges</b>	100 Series (all)	Vacuum and compound ranges through 0 psi to 15,000 psi
<b>Accuracy</b>	15-100, 15-110, 15-120, 20-100, 20-110, 20-120, 20-148, 25-100, 25-110, 25-120	±2.5% full scale
	40-100	±1.6% full scale
<b>Temperature ranges*</b>	100 Series (all)	Media -4 °F to 140 °F (-20 °C to 60 °C) Ambient -40 °F to 140 °F (-40 °C to 60 °C)
<b>Measuring element</b>	100 Series (all)	Copper alloy Bourdon tube
<b>Connection</b>	15-100, 15-110, 15-120, 20-100, 20-110	1/8" NPT, Brass
	20-148	1/8" NPT/10-32 Female, Brass
	20-100, 20-110, 20-120, 25-100, 25-110, 25-120, 40-100	1/4" NPT Brass SAE J1926-3:7/16-20
<b>Case</b>	15-100, 15-110, 20-100, 20-110, 20-148, 25-100, 40-100	ABS (Acryl Nitril Butadien Styrol)
	15-120, 20-120, 25-120	Black painted Steel with chrome triangular bezel and U-clamp
<b>Bezel</b>	15-110, 20-110, 25-110	Built-in bezel, molded as an integral part of the case for ease of panel mounting.
	15-120, 20-120, 25-120	Chrome-plated Steel triangular bezel
<b>Lens</b>	100 Series (all)	Acrylic
<b>Pointer</b>	100 Series (all)	Molded plastic
<b>Dial</b>	100 Series (all)	White background with black primary scale & red secondary scale. UV resistant.
<b>Movement</b>	100 Series (all)	Brass & nylon, or all-Brass with highly polished bearing surfaces

\* For every 18 °F (10 °C) shift in temperature from which the gauge is calibrated, the user can experience up to ±0.4% additional error.

Authorized Distributor:

**WESCHLER INSTRUMENTS**

phone: 800-903-9870 440-378-6580

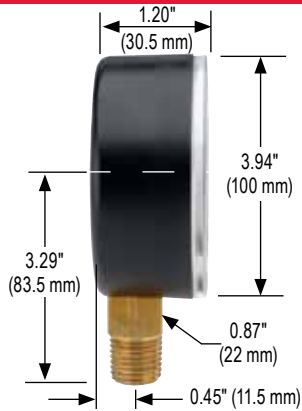
fax: 800-903-9590 440-238-0660

www.weschler.com info@weschler.com

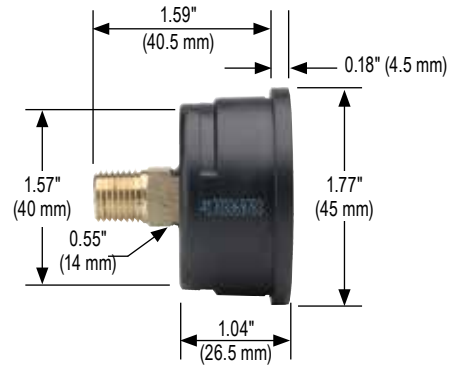


# Dimensions

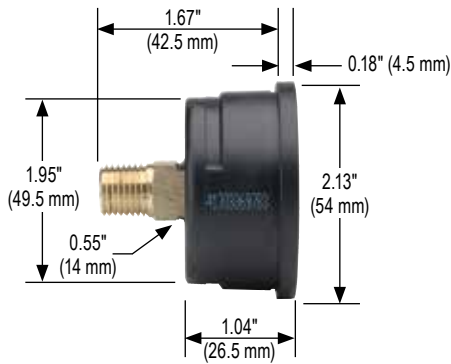
**40-100**



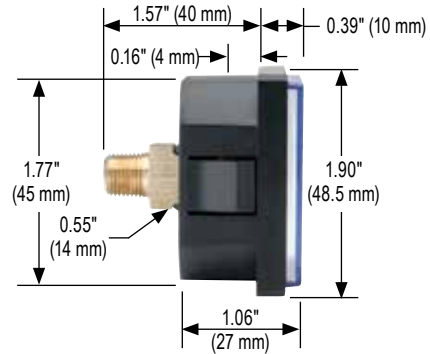
**15-110**



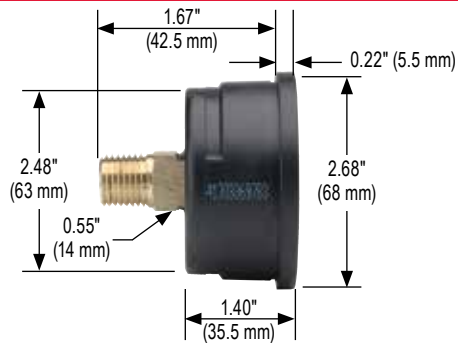
**20-110**



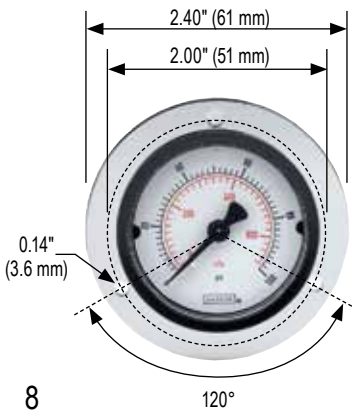
**20-148**



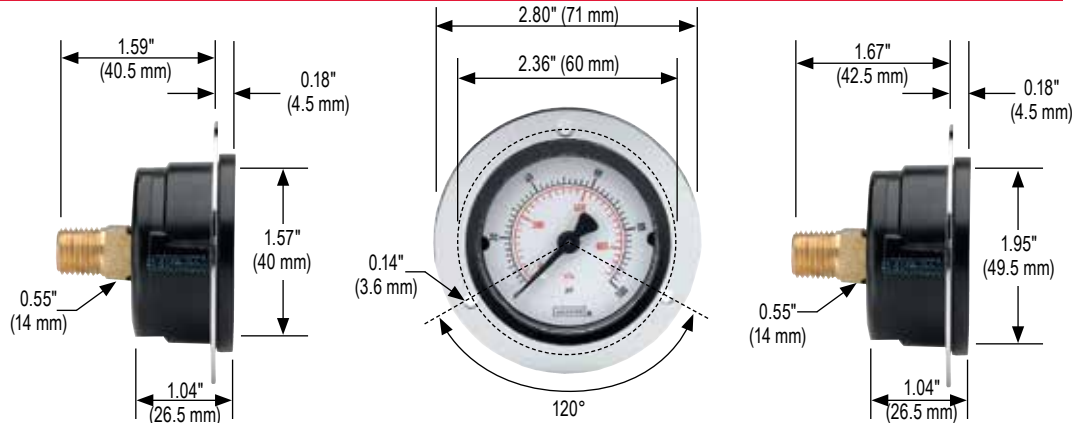
**25-110**



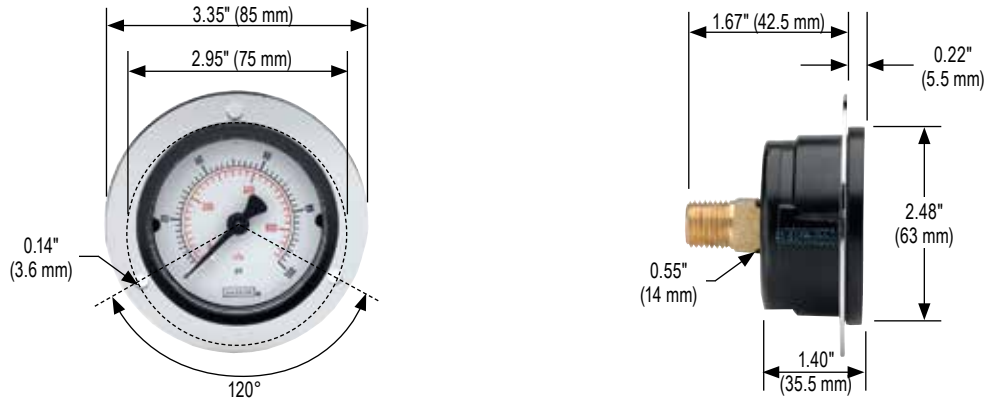
**15-110 Front Flange**



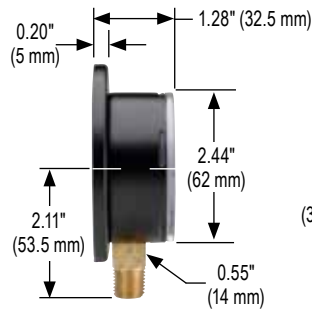
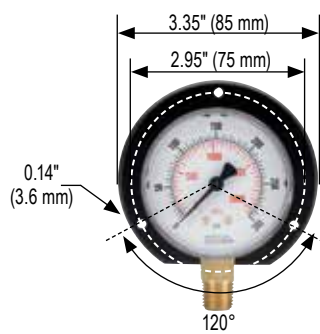
**20-110 Front Flange**



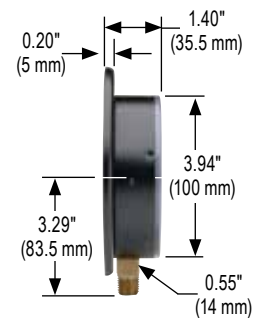
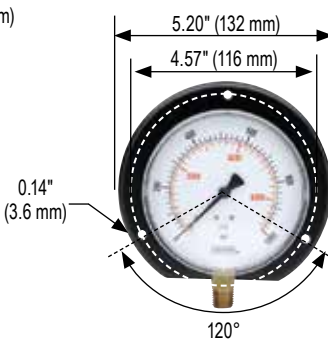
## 25-110 Front Flange



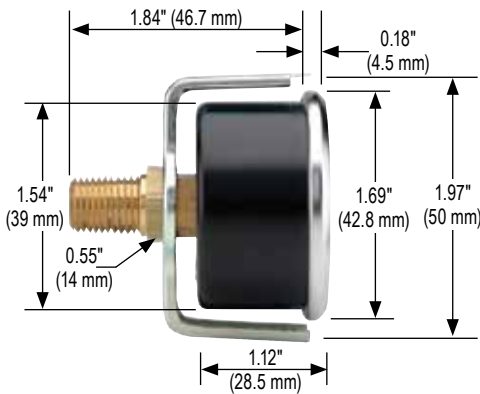
## 25-100 Rear Flange



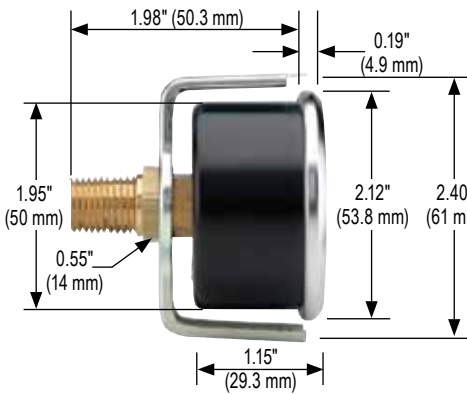
## 40-100 Rear Flange



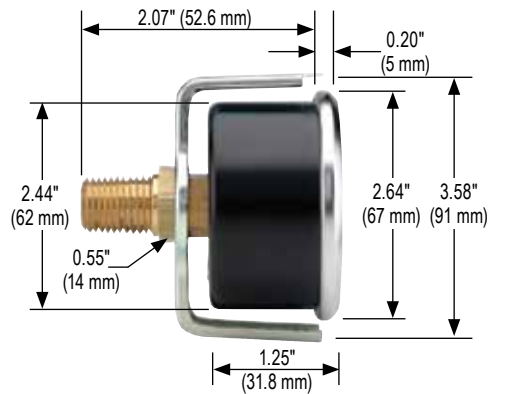
## 15-120 Chrome Bezel With U-Clamp



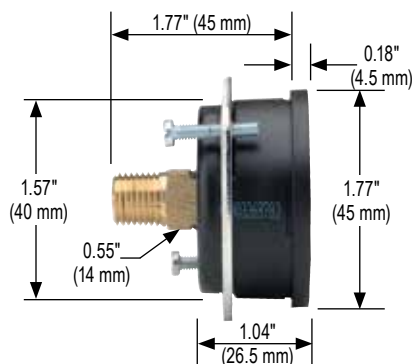
## 20-120 Chrome Bezel With U-Clamp



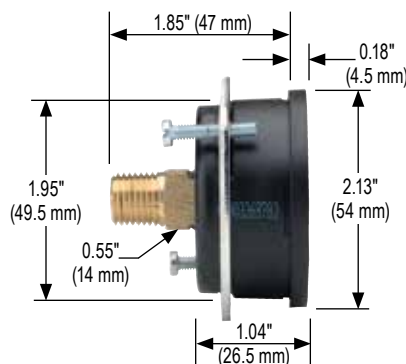
## 25-120 Chrome Bezel With U-Clamp



## 15-110 Panel Mount Clamp



## 20-110 Panel Mount Clamp



## 25-110 Panel Mount Clamp

