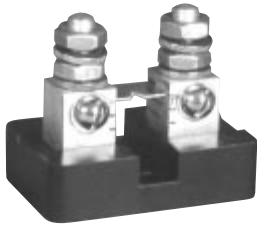


Weschler DC Ammeter Shunts

Accuracy: 1/4%

Recommended continuous operation: <math>< 2/3</math> rated current

TYPE LA: 5 through 150 Amperes

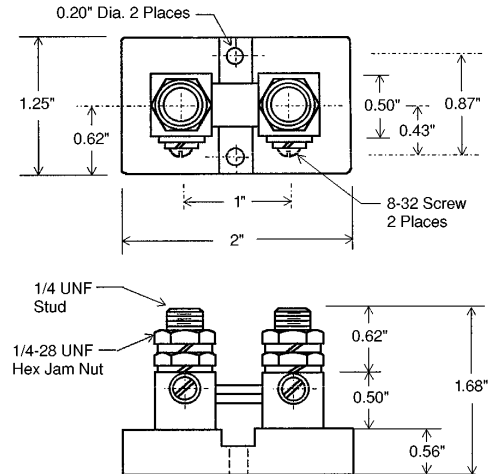


TYPE LA: 50 mV

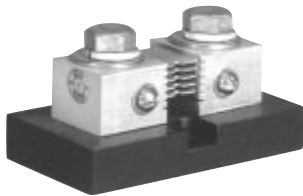
Catalog Number	AMP
LA-5-50	5
LA-10-50	10
LA-15-50	15
LA-20-50	20
LA-30-50	30
LA-50-50	50
LA-75-50	75
LA-80-50	80
LA-85-50	85
LA-100-50	100
LA-150-50	150

TYPE LA: 100 mV

Catalog Number	AMP
LA-5-100	5
LA-10-100	10
LA-15-100	15
LA-20-100	20
LA-30-100	30
LA-50-100	50
LA-75-100	75
LA-80-100	80
LA-85-100	85
LA-100-100	100
LA-150-100	150



TYPE LB: 170 through 600 Amperes

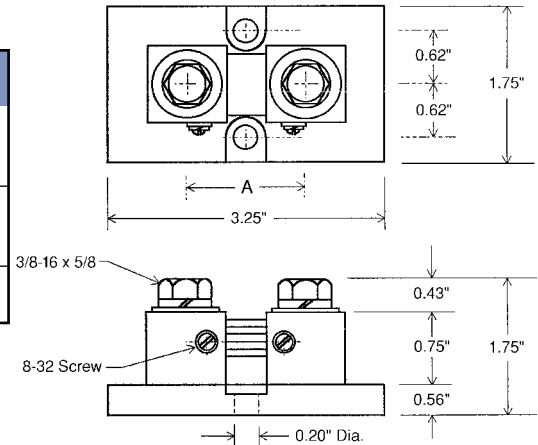


TYPE LB: 50 mV

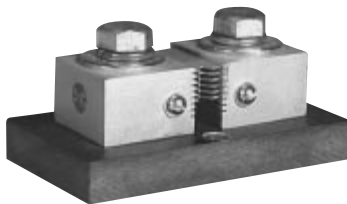
Catalog Number	AMP	A
LB-170-50	170	1.5
LB-200-50	200	1.5
LB-250-50	250	1.5
LB-300-50	300	1.5
LB-400-50	400	1.5
LB-450-50	450	1.5
LB-500-50	500	1.5
LB-600-50	600	1.5

TYPE LB: 100 mV

Catalog Number	AMP	A
LB-170-100	170	2.07
LB-200-100	200	2.07
LB-250-100	250	2.07
LB-300-100	300	2.07
LB-400-100	400	2.07
LB-450-100	450	2.07
LB-500-100	500	2.07
LB-600-100	600	2.07



TYPE LC: 800 through 1200 Amperes



TYPE LC: 50 mV

Catalog Number	AMP	A
LC-800-50	800	2.16
LC-1000-50	1000	2.16
LC-1200-50	1200	2.16

TYPE LC: 100 mV

Catalog Number	AMP	A
LC-800-100	800	2.68
LC-1000-100	1000	2.68
LC-1200-100	1200	2.68

