

Weschler DC Ammeter Shunts

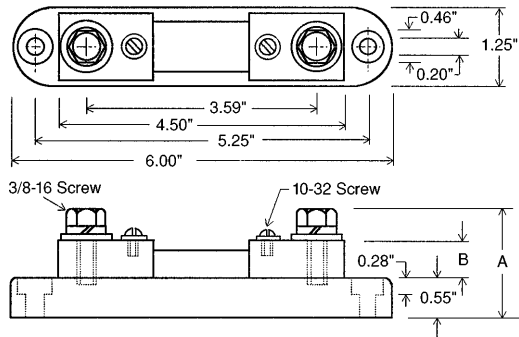
Accuracy: 1/4%

Recommended continuous operation: <math>< 2/3</math> rated current

TYPE C: 1 through 500 Amperes



*Low amperage models are furnished with protective covers.



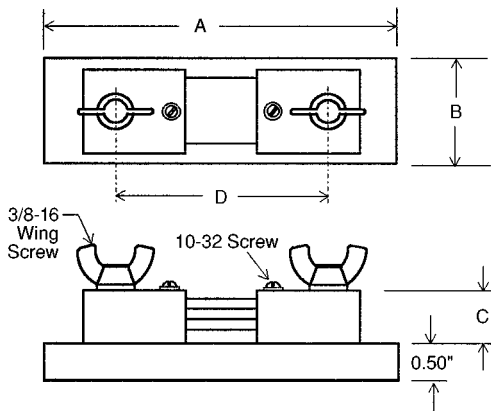
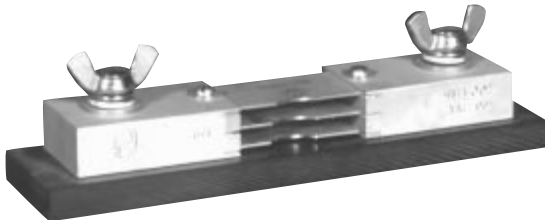
TYPE C: 50 mV

Catalog Number	AMP	A	B
C-1-50*	1	1.45	0.50
C-2-50*	2	1.45	0.50
C-5-50*	5	1.45	0.50
C-10-50*	10	1.45	0.50
C-20-50	20	1.45	0.50
C-50-50	50	1.45	0.50
C-100-50	100	1.45	0.50
C-150-50	150	1.45	0.50
C-200-50	200	1.45	0.50
C-250-50	250	1.75	0.75
C-300-50	300	1.75	0.75
C-400-50	400	1.75	0.75
C-500-50	500	1.75	0.75

TYPE C: 100 mV

Catalog Number	AMP	A	B
C-1-100*	1	1.45	0.50
C-2-100*	2	1.45	0.50
C-5-100*	5	1.45	0.50
C-10-100*	10	1.45	0.50
C-15-100	15	1.45	0.50
C-20-100	20	1.45	0.50
C-25-100	25	1.45	0.50
C-50-100	50	1.45	0.50
C-75-100	75	1.45	0.50
C-100-100	100	1.45	0.50
C-200-100	200	1.45	0.50
C-300-100	300	1.75	0.75
C-500-100	500	1.75	0.75

TYPE LAB: 10 through 1,000 Amperes



TYPE LAB: 50 mV

Catalog Number	AMP	A	B	C	D
LAB-10-50	10	5	1.25	0.50	3.50
LAB-15-50	15	5	1.25	0.50	3.50
LAB-25-50	25	5	1.25	0.50	3.50
LAB-50-50	50	5	1.25	0.50	3.50
LAB-100-50	100	5	1.25	0.50	3.50
LAB-150-50	150	5	1.25	0.50	3.50
LAB-200-50	200	5	1.25	0.50	3.50
LAB-250-50	250	6.75	1.87	0.75	4.12
LAB-300-50	300	6.75	1.87	0.75	4.12
LAB-400-50	400	6.75	1.87	0.75	4.12
LAB-500-50	500	6.75	1.87	0.75	4.12
LAB-600-50	600	6.75	2.37	1	4.12
LAB-750-50	750	6.75	2.37	1	4.12
LAB-1000-50	1000	6.75	2.37	1	4.12

TYPE LAB: 100 mV

Catalog Number	AMP	A	B	C	D
LAB-10-100	10	6.25	1.25	0.50	4.75
LAB-15-100	15	6.25	1.25	0.50	4.75
LAB-25-100	25	6.25	1.25	0.50	4.75
LAB-50-100	50	6.25	1.25	0.50	4.75
LAB-100-100	100	6.25	1.25	0.50	4.75
LAB-150-100	150	6.25	1.25	0.50	4.75
LAB-200-100	200	6.25	1.25	0.50	4.75
LAB-250-100	250	8	1.87	0.75	5.37
LAB-300-100	300	8	1.87	0.75	5.37
LAB-400-100	400	8	1.87	0.75	5.37
LAB-500-100	500	8	1.87	0.75	5.37
LAB-600-100	600	8	2.37	1	5.37
LAB-750-100	750	8	2.37	1	5.37
LAB-1000-100	1000	8	2.37	1	5.37