



# 612 SERIES

- Ranges from 0 inH<sub>2</sub>O to 50 inH<sub>2</sub>O through 0 psig to 1,000 psig
- Current and voltage outputs available
- 316 Stainless Steel, polyamide and polyurethane wetted parts
- CE compliant to suppress RFI, EMI and ESD

## APPLICATIONS

- Irrigation
- Tank monitoring
- Water & wastewater
- Well head measurement

## SPECIFICATIONS

Output signals	4 mA to 20 mA, 2-wire; 0 Vdc to 5 Vdc and 0 Vdc to 10 Vdc, 3-wire; 0.5 Vdc to 2.5 Vdc, 3-wire
Pressure ranges	0 inH <sub>2</sub> O to 50 inH <sub>2</sub> O through 0 psig to 1,000 psig
Accuracy	± 0.25% full scale (BFSL); optional ± 0.125% full scale (BFSL); (includes the effects of non-linearity, hysteresis, non-repeatability, zero point and full scale errors)
Stability	≤ ± 0.2% full scale for 1 year, non-accumulating
Response time	≤ 1 ms (between 10% and 90% full scale)
Service life	> 100,000,000 load cycles
Temperature ranges	Compensated 32 °F to 122 °F/0 °C to 50 °C Effect ± 0.01%/ °F for zero and span Media 14 °F to 122 °F / -10 °C to 50 °C Storage -22 °F to 175 °F/-30 °C to 80 °C
Power requirement*	10 Vdc to 30 Vdc (4 mA to 20 mA, 2-wire, 0 Vdc to 5 Vdc, 3-wire) 5 Vdc to 30 Vdc (0.5 Vdc to 2.5 Vdc, 3-wire) 14 Vdc to 30 Vdc (0 Vdc to 10 Vdc, 3-wire)
Load limitations	≤ (VPower-10)/0.020 Amp for 4 mA to 20 mA ≥ 10,000 Ω for 0 Vdc to 10 Vdc, 3-wire ≥ 5,000 Ω for 0 Vdc to 5 Vdc, 3-wire
Proof pressure	2 times range
Burst pressure	4 times range
Measuring element	Cap: Polyamide, 316 Stainless Steel with weighted nosecone Cable: Polyurethane, optional FEP or PVC with double water block
Connection	316 Stainless Steel
Housing material	316 Stainless Steel
Environmental rating	IP68
Electromagnetic rating	CE compliant to EMC norm EN 61326:2014/A1:1998 RFI, EMI and ESD protection
Electrical protection	Reverse polarity protection, short circuit and optional lightning protection per EN 6100-4-5; 1.5J
Shock	100 g's according to IEC 60068-2-27
Vibration	15 g's according to IEC 60068-2-6
Weight	Approximately 7 oz. with standard nosecone - cable extra

\* Unregulated

Authorized Distributor:

**WESCHLER INSTRUMENTS**

phone: 800-903-9870 440-378-6580

fax: 800-903-9590 440-238-0660

www.weschler.com info@weschler.com

ORDERING INFORMATION					
SERIES	612				
PRESSURE RANGES	50 inH <sub>2</sub> O 0 inH <sub>2</sub> O to 50 inH <sub>2</sub> O	2 0 psig to 2 psig (4.6 ftH <sub>2</sub> O)	20 0 psig to 20 psig (46.2 ftH <sub>2</sub> O)	200 0 psig to 200 psig (461.3 ftH <sub>2</sub> O)	
	100 inH <sub>2</sub> O 0 inH <sub>2</sub> O to 100 inH <sub>2</sub> O	3 0 psig to 3 psig (6.9 ftH <sub>2</sub> O)	25 0 psig to 25 psig (57.7 ftH <sub>2</sub> O)	300 0 psig to 300 psig (692.5 ftH <sub>2</sub> O)	
	150 inH <sub>2</sub> O 0 inH <sub>2</sub> O to 150 inH <sub>2</sub> O	5 0 psig to 5 psig (11.5 ftH <sub>2</sub> O)	30 0 psig to 30 psig (69.2 ftH <sub>2</sub> O)	350 0 psig to 350 psig (807.9 ftH <sub>2</sub> O) *	
	200 inH <sub>2</sub> O 0 inH <sub>2</sub> O to 200 inH <sub>2</sub> O	10 0 psig to 10 psig (23.1 ftH <sub>2</sub> O)	60 0 psig to 60 psig (138.5 ftH <sub>2</sub> O)	500 0 psig to 500 psig (1154.2 ftH <sub>2</sub> O) *	
	400 inH <sub>2</sub> O 0 inH <sub>2</sub> O to 400 inH <sub>2</sub> O	15 0 psig to 15 psig (34.6 ftH <sub>2</sub> O)	100 0 psig to 100 psig (230.8 ftH <sub>2</sub> O)	750 0 psig to 750 psig (1733.3 ftH <sub>2</sub> O) *	
	psig = gauge pressure    Other ranges available on request		150 0 psig to 150 psig (346.3 ftH <sub>2</sub> O)	1000 0 psig to 1,000 psig (2311.0 ftH <sub>2</sub> O) *	
ACCURACIES	1 ±0.25% full scale (BFSL)		2 ±0.125% full scale (BFSL)***		
OUTPUT SIGNALS	1 4 mA to 20 mA, 2-wire		5 0 Vdc to 10 Vdc, 3-wire		
	2 0 Vdc to 5 Vdc, 3-wire		11 0.5 Vdc to 2.5 Vdc, 3-wire		
PROCESS CONNECTIONS	N Nosecone		W Nosecone w/added weight (1.1 lb.)		
ELECTRICAL CONNECTIONS	XX Standard polyurethane (PUR) cable		38-XX Optional FEP cable		
	22-XX Optional water-blocked PVC cable (>200 psi only)				
	NOTE: XX = length of cable in feet.				
OPTIONS	PT1 PT100 RTD **	CBC Cable Clamp	FE Filter Element		
	DC Desiccant Cartridge	LP Lightning Protection **	JB Cable Junction Box		

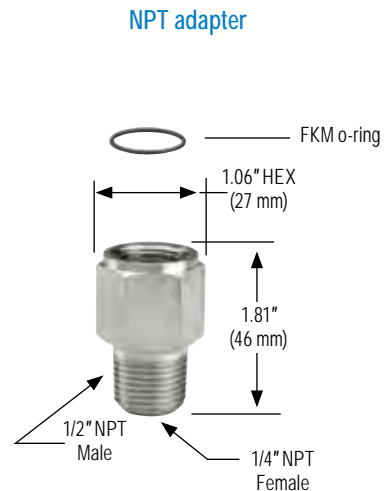
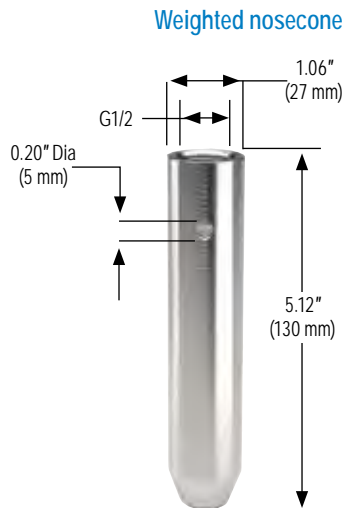
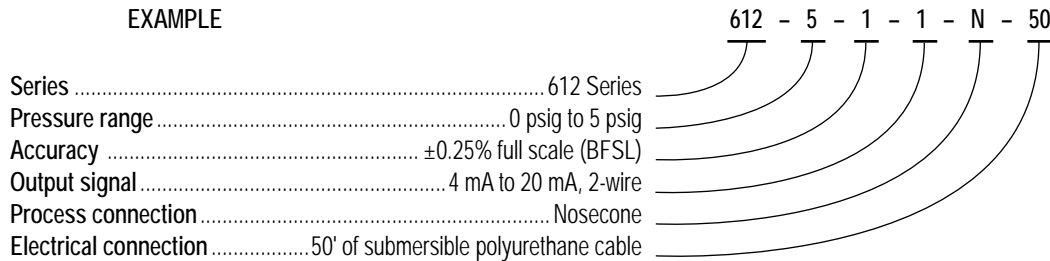
Please consult your local NOSHOK Distributor or NOSHOK, Inc. for availability and delivery information.

\* Only available with 4-20 mA output

\*\* Not available for FEP/PVC cable or Water-Block PVC cable

\*\*\* Only available for ranges ≥ 5 psi

### EXAMPLE



612 Series Wiring	4 mA to 20 mA		
CONNECTION TYPE (CODE)	V+	V-	CASE GROUND
PUR Cable	Brown	Green	Gray
FEP Cable	Brown	White	Blue

612 Series Wiring	0-5 Vdc, 0-10 Vdc, 0.5 to 2.5 Vdc			
CONNECTION TYPE (CODE)	V+	COMMON	OUTPUT	CASE GROUND
PUR Cable	Brown	Green	White	Gray
FEP Cable	Brown	Green	White	Gray

Load Limitations 4 mA to 20 mA output	
V <sub>min</sub>	= [10V + (.020 x RL)] - RC
RL	= RS + RW
RL	= Loop resistance (Ω)
RS	= Sensor resistance (Ω)
RW	= Wire resistance (Ω)
RC	= 0.0435 x cable length (ft.)