

DT-DL SERIES, LARGE APERTURE DC Current Transducers

DT Series Large Aperture DC Current Transducers combine a Hall effect sensor and signal conditioner into a single package for use in DC current applications up to 1200 A. The DT Series Large Aperture Transducers have factory set and calibrated ranges, industry standard 4–20 mA, 0–5 VDC or 0–10 VDC outputs, and are available in solid-core DIN rail mount case.



DC Current Transducer Applications

Battery Banks

- Monitor load and charging currents.
- Verify operation.

Transportation

- Measure traction power or auxiliary loads.

Wind and Solar Generated Power

- Measure the current produced or consumed.
- Detect mechanical problems before failure occurs.

Monitor DC Powered Motors

- Monitor current of cranes, saws, sorters and positioning equipment.

DC Current Transducer Features

Factory Set and Calibrated Ranges

- No need for field calibration.
- Eliminates zero and span pots.

Isolation

- Output is magnetically isolated from the input for safety.
- Eliminates insertion losses, no added burden.

Internal Power Regulation

- Works well, even with unregulated power.
- Cuts installation cost.

DIN Rail Mounted Case*

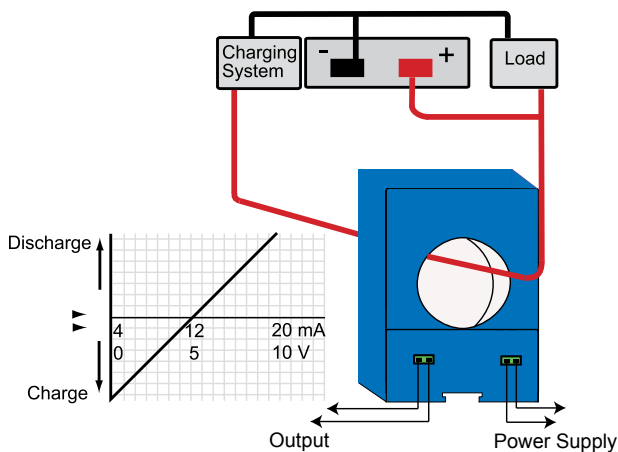
- Makes installation a snap.
- No drilling or screws to lose.
- Optional DIN rail kit available for chassis mounting.*

UL/cUL and CE Approved

- Accepted worldwide.

*For information on the DIN rail accessories kit, see page 140.

Battery Charging System



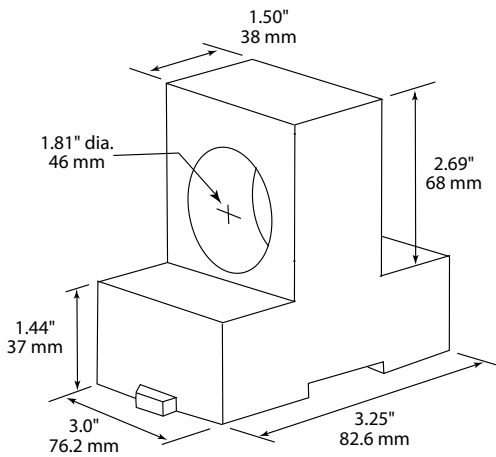
For additional Application Examples, go to www.nktechnologies.com/applications

OEMs

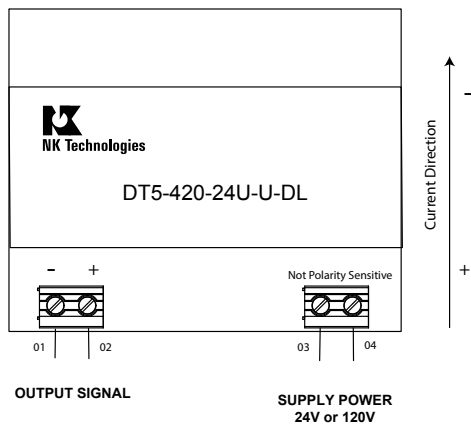
Test & Evaluation Units for OEMs

Free program expedites evaluation process. See page 3 for details.

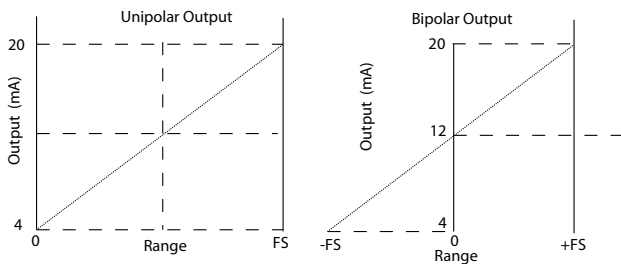
DC Current Transducer Dimensions



DC Current Transducer Connections



DC Current Transducer Output



Notes:
 Deadfront captive screw terminals.
 12–22 AWG solid or stranded.
 Observe polarity.
 Unipolar Output: Signal With Current flowing in one direction only.

DC Current Transducer Specifications

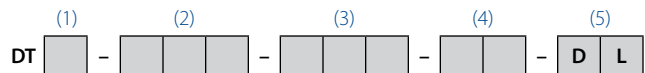


Power Supply	• 120 VAC (108–132 V) • 24 VAC/DC (22–26 V)
Power Consumption	2 VA
Output Signal	4–20 mA, 0–5 VDC, 0–10 VDC
Output Limit	• 4–20 mA: 23 mA • 0–5 VDC: 5.75 VDC • 0–10 VDC: 11.5 VDC
Output Impedance	• 4–20 mA: 650 Ω max. • 0–5 VDC: 25 KΩ min. • 0–10 VDC: 50 KΩ min.
Accuracy	2.0% FS
Repeatability	1.0% FS
Response Time	100 ms (to 90% of step change)
Range	0–1200 A DC
Frequency Range	DC
Isolation Voltage	UL listed to 1270 VAC, tested to 3 KV (monitored line to output)
Case	UL94 V-0 Flammability Rated
Environmental	-4 to 122°F (-20 to 50°C) 0–95% RH, non-condensing
Listings	UL/cUL, CE

DC Current Transducers

DC Current Transducer Ordering Information

Sample Model Number: DT6-420-24U-U-DL
 Solid-core DC current transducer, 0–500 A range, 4–20 mA, 24 VAC/DC powered, unipolar output.



(1) Full Scale Range		(3) Power Supply	
5	300 A	24U	+24 VAC/DC
6	500 A	120	120 VAC
7	750 A		
8	1000 A		
9	1200 A		
(2) Output Signal		(4) Output Polarity	
420	4–20 mA	U	Unipolar
005	0–5 VDC	BP	Bipolar
010	0–10 VDC		
		(5) Case Style	
		DL	Solid-core, DIN rail mounting

