



Back of Panel
Unmounted



New Big Look
Panel Mounted



Square Case



Round Case

Specifications

Accuracy: Matches frequency control of power system.

Vibration Shock: Meets ANSI Specification C39.1

Materials: Case of clear Polycarbonate, frame of black Polycarbonate, brass terminal studs, Polycarbonate front covers.

Safety: Type 240 elapsed-time meters are recognized under the Component Program of Underwriters' Laboratories. (UL File #E91703) & CSA

Input Range: All Type 240 models available to operate on 120 or 208/240 or 480 volts AC, 50 or 60 Hertz.

Sealing: All non-reset Type 240 models are weather resistant. Sealed window and no-through screw holes for flange or back-of-panel mounting protect motor, counter, and gearing from rain or panel wash-down.

Presentation: 6-digit counter in $\frac{1}{2}$ " high hours and tenths of hours or minutes and tenths of minutes.

Insulation Level: Operating at 120, 208, 240 or 480 volts AC, will pass Hi-pot of 2000 VRMS for one minute.

Burden: 3 VA typical.

Dimensions: See pages 40 & 41.

Motor: Synchronous.

Features:

- Back-of-panel model
- 2½" and 3½" New Big Look models
- 2½" and 3½" Round and Square models
- Complete interchangeability physically and electrically with most GE Types 235 and 236 models
- Optional 3 stud mounting is available on 3½" New Big Look style 240 meters only.

Motor Volt AC	Nonreset Type		Reset Type	
	Register in Minutes	Register in Hours	Register in Minutes	Register in Hours

2½-INCH NEW BIG LOOK – 60Hz

120	240 213 AAAB	240 211 AAAB	240 214 AAAB	240 212 AAAB
240	240 213 ABAB	240 211 ABAB	240 214 ABAB	240 212 ABAB
480	240 213 ACAB	240 211 ACAB	240 214 ACAB	240 212 ACAB

3½-INCH NEW BIG LOOK – 60 Hz

120	240 313 AAAB	240 311 AAAB	240 314 AAAB	240 312 AAAB
240	240 313 ABAB	240 311 ABAB	240 314 ABAB	240 312 ABAB
480	240 313 ACAB	240 311 ACAB	240 314 ACAB	240 312 ACAB

SQUARE CASE 2½-INCH – 60 Hz

120	240 613 AAAD	240 611 AAAD	240 614 AAAD	240 612 AAAD
240	240 613 ABAD	240 611 ABAC	240 614 ABAD	240 612 ABAD
480	240 613 ACAD	240 611 ACAD	240 614 ACAD	240 612 ACAD

SQUARE CASE 3½-INCH – 60 Hz

120	240 713 AAAD	240 711 AAAD	240 714 AAAD	240 712 AAAD
240	240 713 ABAD	240 711 ABAD	240 714 ABAD	240 712 ABAD
480	240 713 ACAD	240 711 ACAD	240 714 ACAD	240 712 ACAD

ROUND CASE 2½-INCH – 60 Hz

120	240 633 AAAB	240 631 AAAB	240 634 AAAB	240 632 AAAB
240	240 633 ABAB	240 631 ABAB	240 634 ABAB	240 632 ABAB
480	240 633 ACAB	240 631 ACAB	240 634 ACAB	240 632 ACAB

ROUND CASE 3½-INCH – 60 Hz

120	240 733 AAAB	240 731 AAAB	240 734 AAAB	240 732 AAAB
240	240 733 ABAB	240 731 ABAB	240 734 ABAB	240 732 ABAB
480	240 733 ACAB	240 731 ACAB	240 734 ACAB	240 732 ACAB

Type 240

Elapsed Time Meters



Motor Volt AC	Nonreset Type		Reset Type	
	Register in Minutes	Register in Hours	Register in Minutes	Register in Hours

BACK-OF-PANEL — 60 Hz

120 208/240 480	240 003 AAAA 240 003 ABAA 240 003 ACAA	240 001 AAAA 240 001 ABAA 240 001 ACAA	240 004 AAAA 240 004 ABAA 240 004 ACAA	240 002 AAAA 240 002 ABAA 240 002 ACAA
-----------------------	--	--	--	--

EXPLOSION-PROOF -- 60 Hz

120 208/240 480	240 913 AAEX 240 913 ABEX 240 913 ACEX	240 911 AAEX 240 911 ABEX 240 911 ACEX
-----------------------	--	--

3½" New Big Look ETM mounted in explosion-proof housing, 6.125" x 6.125" x 5.625" depth.

Includes two ¾" NPT holes (specify location when ordering).



Also available: 3½" New Big Look ETM mounted in polycarbonate enclosure with window door, 6.1" x 6.3" x 5.2" depth.
Rated NEMA 4X, IP66 for indoor & outdoor use. Applies to both Reset and Non-Reset types.
Add suffix SP to part number. Example: 240 313 AAAB SP.

50-HERTZ RATINGS FOR NEW BIG LOOK

For 50 Hz service simply select the identical 60 Hz catalog number and change letters 7 & 8 as follows:

240213 ** AB

AA = 120V, 60 Hz
AB = 240V, 60 Hz
AC = 480V, 60 Hz
AD = 120V, 50 Hz
AE = 240V, 50 Hz
AF = 480V, 50 Hz
AG = 208V, 60 Hz
AH = 208V, 50 Hz

OPTIONAL 3-STUD MOUNTING

For 3-stud mounting option (3½" New Big Look only) simply select the identical 4-stud catalog number and change letters 9 & 10 as follows:

240313AA**

AB = Std 4 stud mounting (2 1/2" x 3 1/2" New Big Look)
AC = Optional 3 stud mounting (3 1/2" New Big Look)
AD = 4 mounting holes (2 1/2" square case)
AE = 3 mounting holes (2 1/2" round case)

Type 240 Elapsed Time Meters are Made in U.S.A.

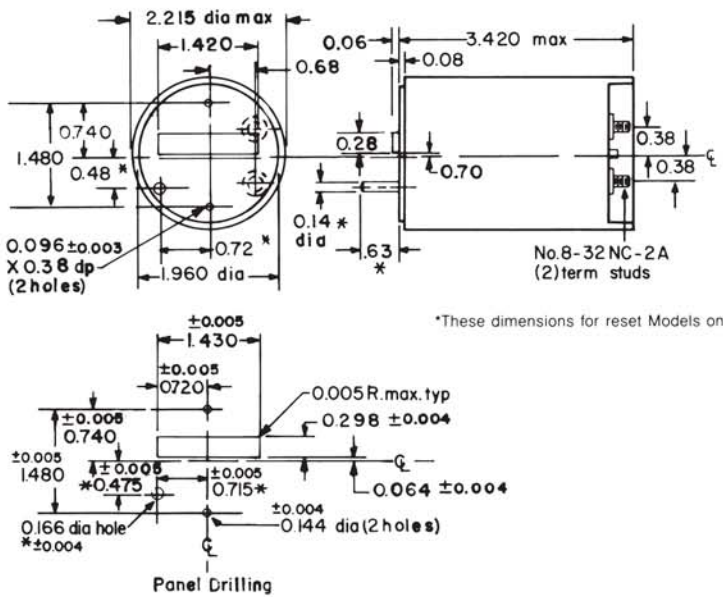


**75 Years of Power and
Process Measurements**

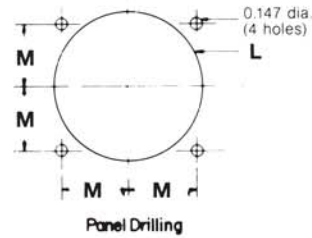
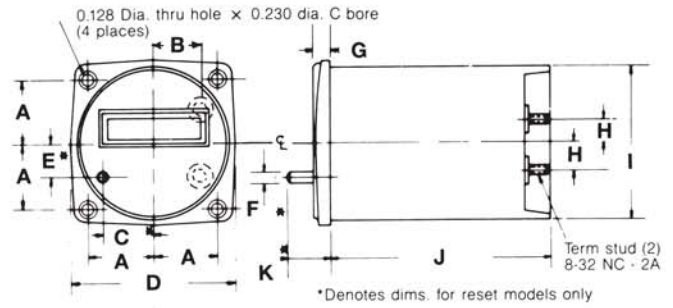
**16900 Foltz Parkway
Cleveland OH 44149 USA
440-238-2550
Toll Free: 800-903-9870
www.weschler.com
info@weschler.com**

Type 240

Elapsed Time Meters

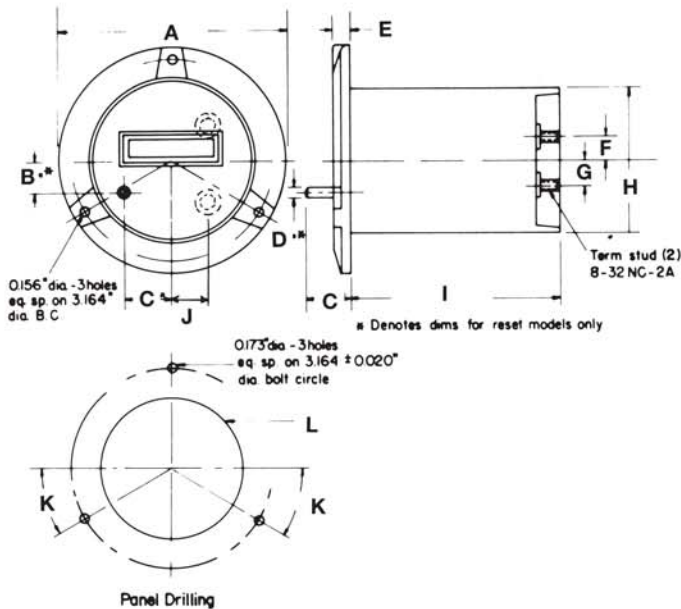


Type 240 Back-of-panel model



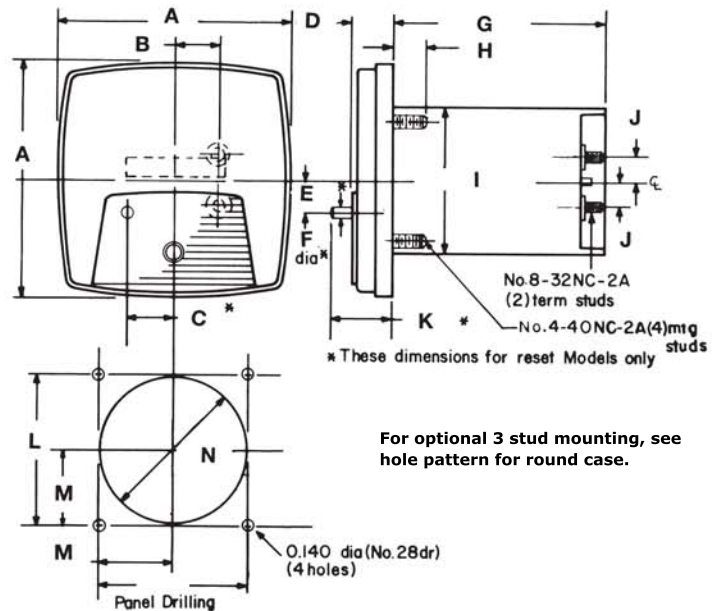
SIZE \ DIM	A	B	C	D	E	F	G	H	I	J	K	L	M
2 1/2	.94	.68	.72	2.38	.48	.14	.25	.38	2.215	3.286	.76	2.22	.94
3 1/2	1.12	.68	.72	3.0	.48	.14	.25	.38	2.215	3.286	.76	2.22	1.125

Type 240 square case



SIZE \ DIM	A	B	C	D	E	F	G	H	I	J	K	L
2 1/2	2.68	.48	.72	.14	.21	.38	.38	2.215	3.33	.68	30°	2.22
3 1/2	3.51	.48	.72	.14	.22	.38	.38	2.215	3.32	.68	30°	2.22

2 1/2-3 1/2-inch Type 240 round case



For optional 3 stud mounting, see hole pattern for round case.

SIZE \ DIM	A	B	C	D	E	F	G	H	I	J	K	L	M	N
2 1/2 BL	2.7	.68	.72	.5	.48	.14	3.253	.5	2.215	.38	.80	1.88	.94	2.22
3 1/2 BL	3.5	.68	.72	.5	.48	.14	3.253	.5	2.215	.38	.80	2.25	1.125	2.22

New Big Look 2 1/2 & 3 1/2-inch Type 240