

London Electronics Limited

Thorncote Road, Near Sandy, Bedfordshire SG19 1PU

Tel +44(0)1767 626444 Fax +44(0)1767 626446

www.london-electronics.com

help@london-electronics.com

Loop-Powered scalable digital panel meter

88-PRO

Connection details, scaling and general information

Table of Contents

- 1) Very Important Warnings
- 2) Important Introductory Notes
- 3) Equipment Specifications
- 4) Panel requirements
- 4) Connection Details
- 5) Adjustments and Calibration
- 6) Declaration of Conformity



Keep a note of your settings here.

Some time in the future, you or a colleague may need to recalibrate or replace this meter. We suggest you write down all your settings now to avoid panic and confusion in a crisis.

Meter Serial number

Input signal range (for example 4-20mA)

Display range (for example 0 to 100.0 %)

If you change any switch settings, mark your changes in the manual where that switch is described.

Important Warnings



Carefully read all warnings and ONLY install the meter when you are sure that you have properly covered each point.

- * Connect the meter according to current IEE regulations and separate all wiring according to IEC1010.
- * Power to this equipment comes from the input signal. You should fit a 63mA (T) fuse to protect the meter from signal surges.
- * Check that the model number suits your application before you install the meter.
- * Don't touch any circuitry after you have connected the meter, because there may be lethal voltages on the circuit board.
- * We designed this meter for Installation class II service only. This is because it has exposed electrical and power terminals, so you must install it in an enclosure to protect users from electric shock.
- * We designed this meter for Pollution-Degree 2 environments only. This means you must install it in a clean, dry environment, unless it has extra protection from a splashproof cover, such as our SPC4
- * Only adjust on-board switches or connections with the power turned off
- * Make sure all screw terminals are tight before you switch the meter on.
- * Only clean the meter with a soft damp cloth. Only lightly dampen with water. Do not use any other solvents.

***Safety FirstDon't assume anything..... Always double check.
If in doubt, ask someone who is QUALIFIED to help you in the subject.***

Important Introductory Notes

Please contact us if you need help, if you have a complaint, or if you have suggestions to help us improve our products or services for you.

If you contact us about a product you already have, please tell us the full model number and serial number, so that we can give you accurate and fast help.

This product has a 2 year warranty. We will put right or replace any meter which is faulty through bad workmanship or materials. This warranty does not cover damage caused by misuse or accident.

IMPORTANT

If this equipment is important to your process, you may want to buy a spare to cover possible failure or accidental damage in the future.

This is because at some times, for example during our factory shutdown periods, you may have to wait several weeks for an equivalent replacement. Or, we may have no stock at the time you urgently need it.

You may also need to pay extra carriage charges if you want a fast, guaranteed courier service. Warranty repairs or replacements are normally returned with a standard courier service.

We do not offer any compensation for losses caused by failure of this instrument.

If you do not agree with these conditions, please return this item now, in unused, clean condition, in its original packaging and we will refund the purchase price, excluding any carriage paid.

We thought you'd prefer to know about possible delays and extra charges now, rather than during a panic.

We always try to improve our products and services, so these may change over time. You should keep this manual safely, because future manuals, for new designs, may not describe this product accurately.

We believe these instructions are accurate, and that we have competently designed and manufactured the product, but please let us know if you find any errors.

Equipment Specifications

Input Signal.....	4-20mA, 10-50mA or 1-5mA
Resolution.....	1 part in 2000 max. resolution
Input Resistance.....	Maximum equivalent resistance 12.5 Ohms
CMRR.....	120 dB DC to 100 Hz.
NMRR.....	50 dB, 40 to 60 Hz.
Open Circuit Input Response.....	Display blanks
Speed of Response.....	0.5 Second time constant
Decimal Point Selection.....	Jumper selection behind bezel
Accuracy.....	+/- 0.1% of reading, +/- 1 count
Temperature stability.....	ZERO +/- 0.2 count/C, SPAN +/-0.015%/C
A/D Technique.....	Dual slope integrator
Conversion Rate.....	2 1/2 readings per second
Integration Time.....	100 milliseconds
Display Type.....	Reflective LCD
Digit Height.....	12.7 mm
Digit Colour.....	Black, on a light grey background
Excitation Supply.....	none provided
Accuracy.....	n/a
Current Capacity.....	n/a
Power Supply.....	The input signal powers the meter
AC Supply.....	none
DC Supply.....	none
Consumption.....	Equal to input signal. Max. Voltage drop =2.5V
Mechanical.....	1/8 DIN bezel
Bezel Size.....	48 mm high x 96 mm wide
Cutout Size.....	45 mm high x 92 mm wide
Depth behind Panel.....	80 mm
Weight.....	100 g
Case Material.....	Polycarbonate UL rating 94V-0
Environmental	
Operating Temperature.....	-10 to +50 degrees Centigrade
Storage Temperature.....	-20 to +70 degrees Centigrade
Humidity.....	90 % at 50 degrees C, non condensing

Panel Requirements



Separate all power carrying and signal cables according IEC 1010

Installation Class II
Pollution degree 2



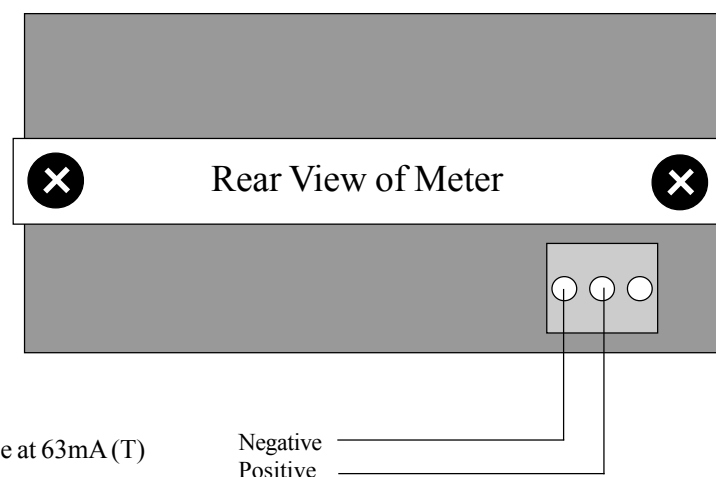
Install this meter in a secure enclosure, to prevent accidental access by people to the connections on the meter's rear terminals. These may, under plant fault conditions, be at a dangerous voltage above ground potential.

CUTOUT DIMENSIONS Cut a hole 45 mm high and 92 mm wide, with minimal radius.

Connections

Connector Specifications :- [VDE Rated Voltage, group B insulation VAC = 380]-[VDE Rated Current = 8 Amperes.]
[Vibration Immunity per VDE0611 <10g]-[Rated Number of mating cycles <100]-[Screw Clamp material/plating Steel/ZnCc]
[Contact Spring material/plating CuSN/gal SnPb]-[Plug-in force, per pole is from 3 to 6 Newtons]-[Disconnect force per pole is from 4 to 7 Newtons]-[Screw clamp tightening torque recommended 0.5Nm]-[Solid wire csa between 0.13 to 1.5mm²] [Multistrand wire csa from 0.5 to 1.5mm²]-[AWG conductor range from 22 to 16]-[Gauge to DIN/EN50027 Size A1]

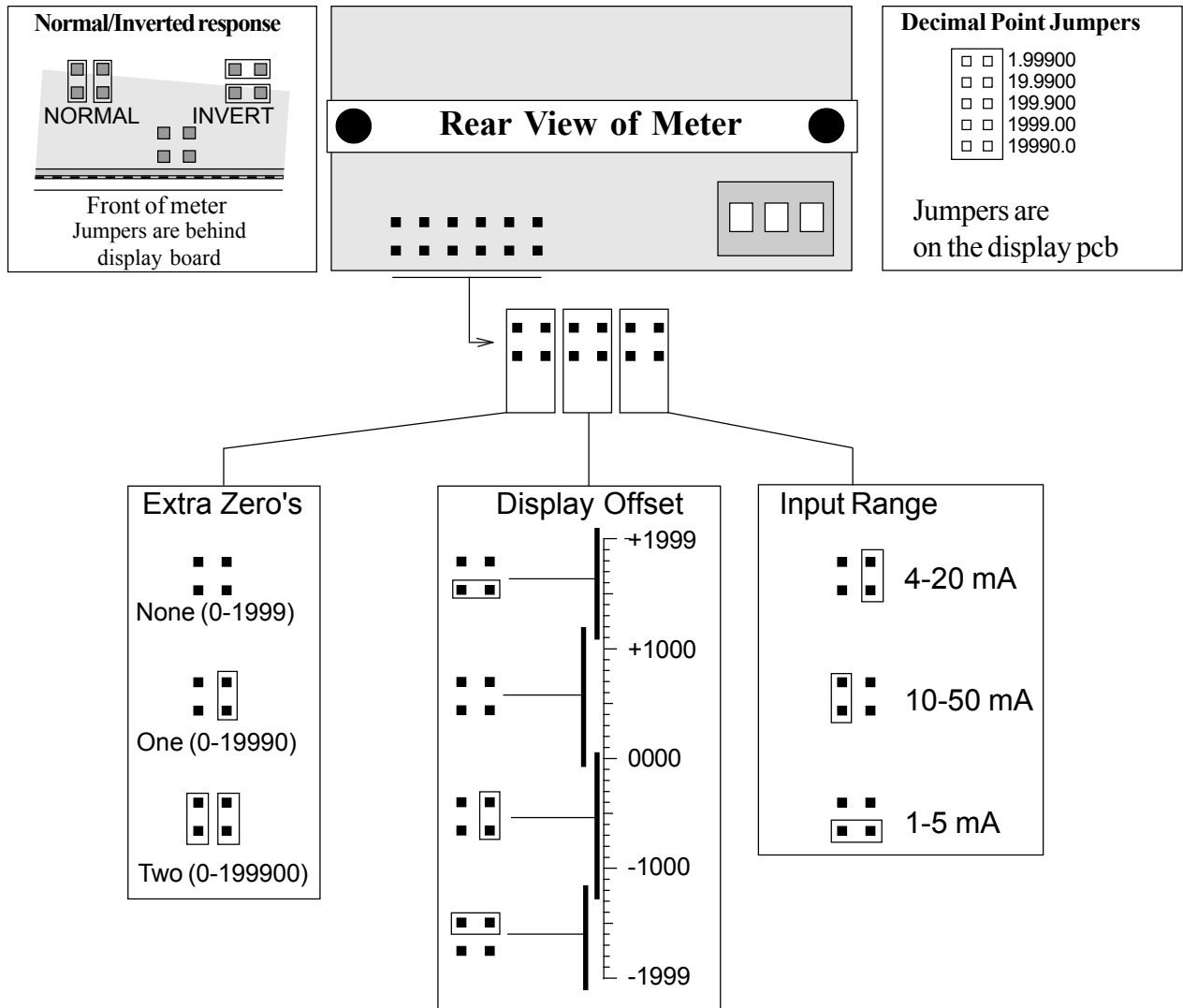
You don't need 'POWER' connections for this indicator. It gets its operating energy from the input signal. Only use this meter with current signals, such as 4-20mA, 10-50mA etc.. The current should always be less than 55mA, or you may damage the input circuit.



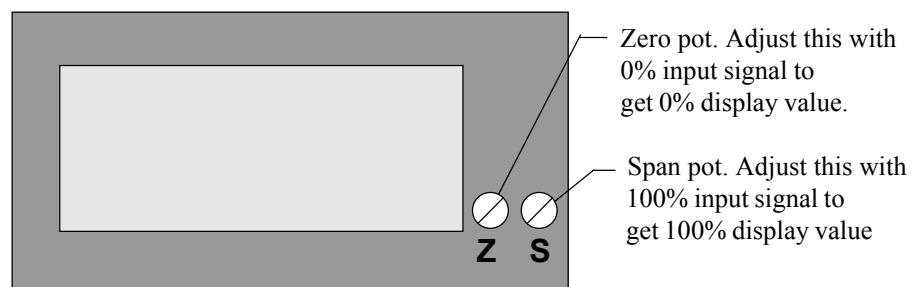
IMPORTANT: Don't run signal wires near any power-carrying cables. Power-carrying cables could interfere with the small signals you want to measure. Use screened cable, in its own separate conduit or tray. Connect the screen to a clean earth point as near to the meter as possible.

Adjustments & Calibration

You can scale this 3 1/2 digit meter to suit most process measurements. You may add one or two fixed zero's after the active digits. This gives you a X10 or X100 multiplication factor, so you can scale the meter for maximum readings up to 19990 or 199900. You can also scale the meter to act in reverse. For example 4mA = 100.0 and 20mA = 0.0



The display offset range is the reading range you can get if you adjust the Zero potentiometer, with the input at 0% (eg 4mA). When you have set all the jumpers, to suit your application, you can calibrate the meter.



Declaration of Conformity

Declaration Number : 88-PRO Iss. 2
Issue Date : 21 April 1997
Products Covered : 88-PRO
Title : 1/8 DIN loop powered DPM

We designed and manufactured these Products to meet the following specifications :

EN55022:1987 Conducted Emissions: Class B
EN55022:1987 Radiated Emissions : Class B
IEC801-2:1984 Electro-Static Discharge Immunity: 8kV Air
IEC801-3:1984 Radiated ElectroMagnetic field Immunity: 3V/m

The products conform with these standards:

EN50081-1:1992 (normative)
EN50082-1:1992 (normative)

and comply with the requirements of Council Directive 89/336/EEC for Electro-Magnetic Compatibility, & are designed to meet 72/23/EEC safety directive.

To confirm EMC compliance, models within the range have been independently tested and certified by MARCONI INSTRUMENTS EMC Department.

MARCONI CERTIFICATE # : TC96/0029B
MARCONI CERTIFICATE Issue# : 1
MARCONI Certificate Issue Date : 14 February 1996

Conditions

The meters are allowed a worst case error of 1% of A/D range during electro-magnetic disturbance, and must recover automatically when disturbance stops, without the need for human intervention, such as resetting, power-down etc.

The meters covered by this certificate must be installed according to the following conditions :-

Signal cabling must be routed separately to power carrying cabling (includes relay output wiring)
All signal cabling must be screened. The screen must only be connected to the power earth terminal

Signed as true and correct, for and on behalf of London Electronics Ltd.

.....
J.R.Lees Director